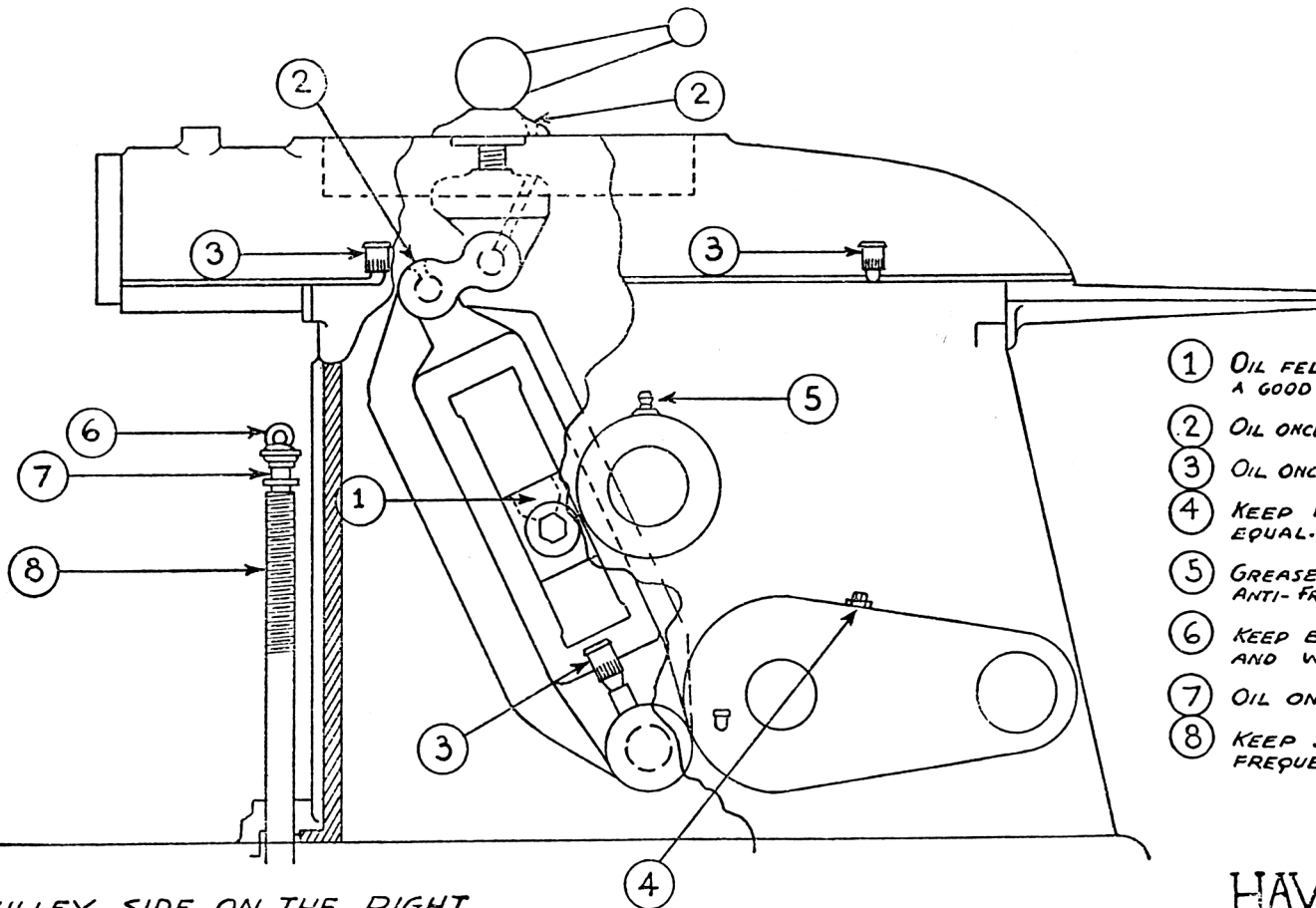


8" SHAPE-RITE SHAPER LUBRICATION CHART

MODEL "B"



- ① OIL FELT WICK ONCE EVERY 8 OPERATING HOURS WITH A GOOD MACHINE OIL
- ② OIL ONCE EVERY 8 OPERATING HOURS WITH A GOOD MACHINE OIL
- ③ OIL ONCE EVERY 8 OPERATING HOURS WITH A GOOD MACHINE OIL
- ④ KEEP FILLED WITH 600W TRANSMISSION GREASE OR EQUAL. FILL TO LEVEL OF OIL CUP ON SIDE.
- ⑤ GREASE LIGHTLY ONCE EVERY 3 MONTHS WITH ALEMITE ANTI-FRICTION BEARING GREASE NO. 38 OR IT'S EQUAL
- ⑥ KEEP BEVEL GEARS FREE OF GRIT AND CHIPS AND WELL OILED
- ⑦ OIL ONCE EVERY DAY
- ⑧ KEEP SCREWS FREE OF GRIT AND CHIPS. OIL FREQUENTLY WITH GOOD MACHINE OIL

PULLEY SIDE ON THE RIGHT

KEEP ALL FACES OF SHAPER GEARS WELL GREASED WITH STICKEY PINION GREASE AND FREE OF GRIT AND CHIPS OIL ALL OTHER MOVING PARTS FREQUENTLY

HAVIR MFG. CO.
ST. PAUL MINNESOTA
U.S.A.